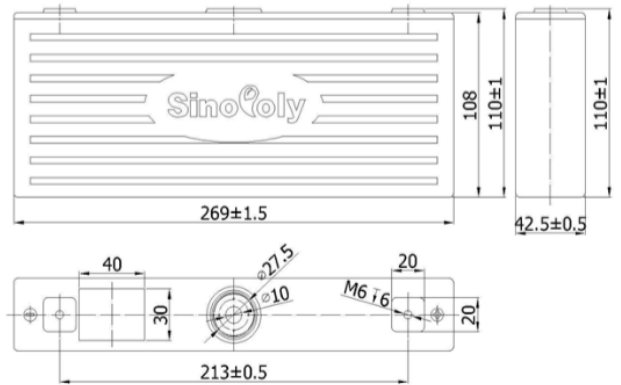


BATTERIES

SP-LFP66AHA

SinoPoly


Item		specification	Remark
Product Model		SP-LFP-66AHA	
Nominal Capacity		66Ah	
Nominal Voltage		3.2V	
Weight		2.1Kg±0.1Kg	
Internal Impedance		≤1mΩ	AC1kHz
Cycle Life		≥2500Times	80%DOD
Self-discharge rate		≤5%	25°C, per month
Dimension	Height	110±1.0mm	
	Width	269±1.5mm	
	Thickness	42.5±0.5mm	
Charge	Standard Current	22A	CC&CV
	Max. Current	132A	2C
	Limited Voltage	3.65V	
	Cut-off Current	2.18A	0.033C
Discharge	Standard Current	22A	
	Max. Current	198A	3C
	End Voltage	2.5V	
Operation Temperature	Charge	0°C~45°C	
	Discharge	-20°C~55°C	
Storage Temperature		-10°C~45°C	
Storage Humidity		25%~85%	RH

